

CONSTRUCTION SPECIFICATIONS

- FABRIC TO BE FASTENED SECURELY TO FENCE POSTS WITH WIRE TIES OR STAPLES.
- WHEN TWO SECTIONS OF FILTER CLOTH ADJOIN EACH OTHER, THEY SHALL BE OVERLAPPED AT A POST BY 6 INCHES, FOLDED AND STAPLED.
- MAINTENANCE SHALL BE PERFORMED AS NEEDED AND MATERIAL REMOVED WHEN "BULGES" DEVELOP IN THE SILT FENCE.

SILT FENCE DETAIL
 NOT TO SCALE

EROSION CONTROL INSPECTION:

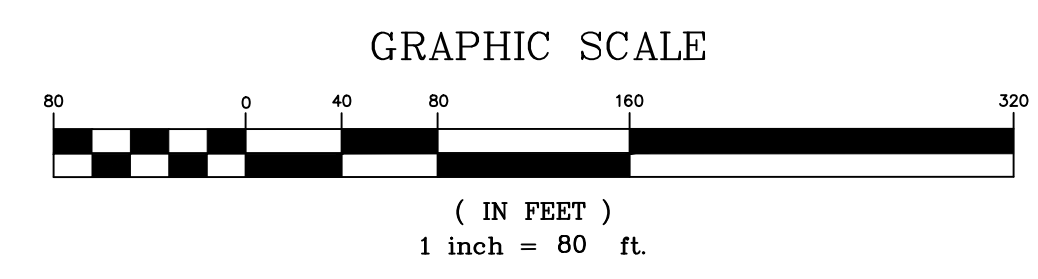
INSPECTIONS OF THE CONSTRUCTION SITE SHALL BE MADE BY PERSONNEL FAMILIAR WITH THE CONSTRUCTION ACTIVITY. EROSION AND SEDIMENT CONTROL MEASURES IDENTIFIED IN THE PLAN SHALL BE OBSERVED TO ENSURE THAT THEY ARE OPERATING CORRECTLY. INSPECTIONS SHALL BE CONDUCTED AT LEAST ONCE EVERY EACH WEEK AND WITHIN 48 HOURS OF THE END OF A STORM EVENT THAT IS 0.5 INCH OR GREATER. THESE INSPECTIONS SHALL COVER DISTURBED AREAS THAT HAVE NOT BEEN FINALLY STABILIZED, AREAS USED FOR STORAGE OF MATERIALS THAT ARE EXPOSED TO PRECIPITATION, STRUCTURAL CONTROL MEASURES, AND LOCATIONS WHERE VEHICLES ENTER OR EXIT THE SITE. WHERE AREAS HAVE BEEN FINALLY OR TEMPORARILY STABILIZED OR RUNOFF IN UNLIKELY DUE TO WINTER CONDITIONS (E.G., SITE IS COVERED WITH SNOW, ICE, OR FROZEN GROUND EXISTS) SUCH INSPECTIONS SHALL BE CONDUCTED AT LEAST ONCE EVERY MONTH. THE CONTRACTOR SHALL KEEP WRITTEN REPORTS SUMMARIZING EACH INSPECTION ONSITE.

WINTER CONSTRUCTION NOTES:

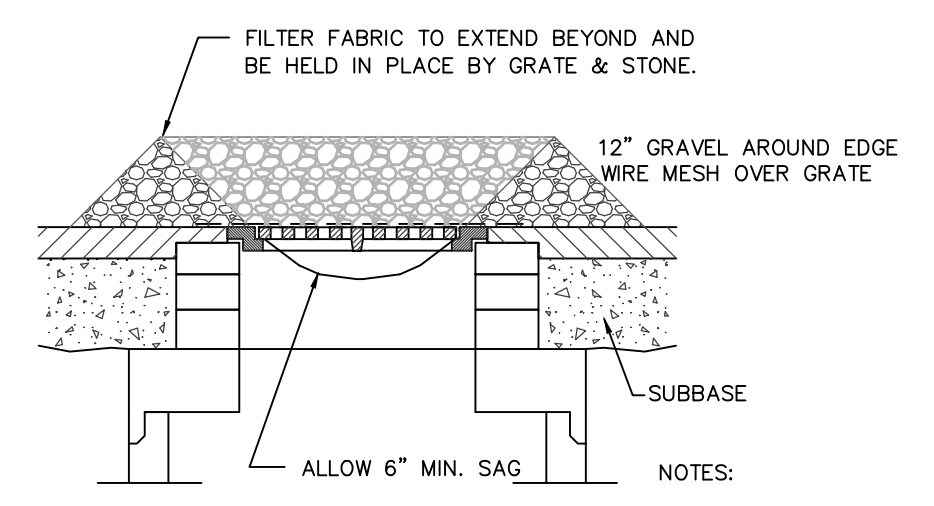
- ALL PROPOSED VEGETATED AREAS WHICH DO NOT EXHIBIT A MINIMUM OF 85% VEGETATIVE GROWTH BY OCTOBER 15TH, OR WHICH ARE DISTURBED AFTER OCTOBER 15TH. SHALL BE STABILIZED BY SEEDING AND INSTALLING EROSION CONTROL BLANKETS ON SLOPES GREATER THAN 3:1, AND SEEDING AND PLACING 3 TO 4 TONS OF MULCH PER ACRE, SECURED WITH ANCHORED NETTING, ELSEWHERE. THE INSTALLATION OF EROSION CONTROL BLANKETS OR MULCH AND NETTING SHALL NOT OCCUR OVER ACCUMULATED SNOW OR ON FROZEN GROUND AND SHALL BE COMPLETED IN ADVANCE OF THAW OR SPRING MELT EVENTS.
- ALL DITCHES OR SWALES WHICH DO NOT EXHIBIT A MINIMUM OF 85% VEGETATIVE GROWTH BY OCTOBER 15TH OR WHICH ARE DISTURBED AFTER OCTOBER 15TH, SHALL BE STABILIZED TEMPORARILY WITH STONE OR EROSION CONTROL BLANKETS APPROPRIATE FOR THE DESIGN FLOW CONDITIONS.
- AFTER NOVEMBER 15TH, INCOMPLETE ROAD OR PARKING SURFACES, WHERE WORK HAS STOPPED FOR THE WINTER SEASON, SHALL BE PROTECTED WITH A MINIMUM OF 3 INCHES OF CRUSHED GRAVEL PER NHDOT ITEM 304.3.

DEMOLITION NOTES

- THIS PLAN IS BASED ON SURVEY BY DAVID A. MANN, LLS.
- LOCATION OF UTILITIES ARE APPROXIMATE. CONTRACTOR TO VERIFY LOCATIONS OF ALL UTILITIES PRIOR TO EXCAVATION.
- CONTRACTOR TO NOTIFY "DIG SAFE" AT 1-888-344-7233 A MIN. OF 72 HOURS PRIOR TO THE START OF EXCAVATION.
- INSTALL SILT FENCE PRIOR TO START OF WORK. INSTALL CATCH BASIN INLET PROTECTION ON ALL ON-SITE CATCH BASINS.
- CATCH BASIN BASED ON CONSTRUCTION PLAN NOT FOUND. CONTRACTOR TO VERIFY LOCATION AND PROVIDE INLET PROTECTION.
- CONTRACTOR TO PROTECT EXISTING TREES FROM DAMAGE DURING DEMOLITION.
- ALL CONCRETE TO BE REMOVED. FOUNDATION WALLS TO BE REMOVED.
- ALL ASPHALT IS TO BE REMOVED FROM THE SITE.
- REMOVE SWIMMING POOL, BACKFILL WITH CLEAN CRUSHED CONCRETE BLOCK OR BRICK. NO PAINTED BLOCK OR BRICK ALLOWED. PLACE FABRIC, 12" CLEAN SAND AND 6" OF LOAM OVER BURIED GRAVEL TO REMAIN.
- SITE SHALL BE GRADED FOR POSITIVE DRAINAGE. NO LOW SPOTS OR PONDING SHALL BE ALLOWED.
- ALL DISTURBED AREAS SHALL BE TOPPED WITH 6" OF LOAM, SEEDED AND MULCHED.

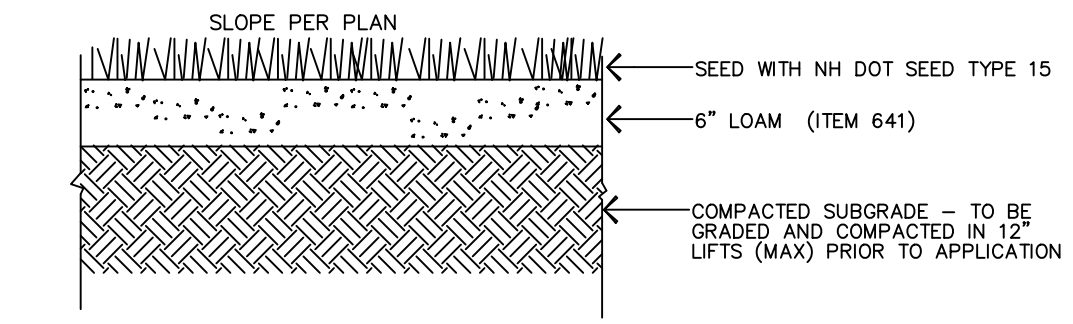


SITE PLAN
 SCALE: 1"=80'



CATCH BASIN GRATE INLET FILTER
 NOT TO SCALE

REGULAR MAINTENANCE, INCLUDING REPLACEMENT OF SEDIMENT AND EROSION CONTROLS SHALL BE CONDUCTED IN ACCORDANCE WITH ALL PERMIT CONDITIONS, AT NO ADDITIONAL COST TO THE OWNER.



LOAM AND SEED DETAIL
 NOT TO SCALE

1. SPREAD LOAM TO SPECIFIED DEPTH AND RAKE TO REMOVE ALL UNSUITABLE MATERIALS. ROLL LOAM TO COMPACT.

2. SPREAD LIMESTONE AT A RATE OF 80 LBS/1000 SF OF SURFACE AREA

3. FERTILIZE WITH 10-10-10 FERTILIZER AT A RATE OF 20 LBS/1000 SF

4. SEED AT 2.75 LBS/1000 SF

NH DOT SEED TYPE 15			
KIND OF SEED	MINIMUM PURITY %	GERMINATION %	LBS/ACRE
CREERING RED FESCUE	96	85	40
PERENNIAL RYEGRASS	98	90	50
KENTUCKY BLUEGRASS	97	85	25
REDTOP	95	80	5
			TOTAL 120

NO.	REVISION	DATE	DWN	CHK

SVE ©2019
 Engineering
 Planning
 Landscape Architecture
 Surveying

SVE Associates
 P.O. Box 1818
 439 West River Road
 Brattleboro, VT 05302
 T 802.257.0561
 F 802.257.0721
 www.sveassoc.com

DEMOLITION PLAN

PROPOSED CLUSTER SUBDIVISION

NINE A, LLC
 135 SOUTH ROAD
 FARMINGTON, CT 06032

PROJ. #: K2683
 DATE: 30-DEC-19
 DESIGN: RH
 DRAWN: TS
 CHECKED: RH

SHEET **D-1**

Drawing name: P:\Project\NH PROJECTS\K2683 Brickstone-Nine A, LLC\Dwg\SPOFFORD HALL DEMO.dwg Dec 31, 2019 - 10:28am